



深圳市科源信科技有限公司
Shenzhen KeYuanXin Technology CO.,LTD

产品规格书

SPECIFICATION FOR APPROVAL

深圳市福田区振华路 118 号华丽装饰一栋西座 306A
306A Block West Building 1, Huali Decoration
NO.118 Zhenhua Road Futian District Shenzhen
电话 TEL: 4008-735-535 传真 FAX: 0755-23616323



Product Name: Crystal

Product Type: OSC 3225

Nominal Freq: 24.0000MHz

ProvideBrand: PARTRON

P/N: CSC5S240000CEVRS09

Customer P/N:

Approved By Customer

Signature: _____ **Date:** _____


Contents

1. Revision History	- - - 3
2. Specification	- - - 4
3. Mechanical characteristics	- - - 6
4. A Primary test result	- - 7
5. Reliability test	- - - 8
6. Soldering condition	- - - 9
7. Construction & material	- - - 10
8. Notices	- - - 11
9. Packing	- - - 12

1. Revision History

Rev.	Date	Rev. page	Revision Content and Reason	Remark
V1.0	'16.05.10	All Page	First-edition	

2. Specification

Item		Symbol	Content
Frequency		fo	24.000 MHz
Supply voltage		VDD	1.6V ~ 3.6V (Typ 2.6V)
Temperature range	Storage	T _{STG}	-40 to 85°C
	Operating	T _{OPR}	-40 to 85°C
Frequency stability(*Note 1) 		$\Delta f/fo$	±30ppm
Current consumption		I _{op}	10mA max
Duty cycle		tw/t	50±10%
Output voltage	High	V _{OH}	VDD-10%VDD min
	Low	V _{OL}	10%VDD max
Rise and fall time		t _R /t _F	10 ns max
Output load condition		C _L	15pF
Aging		f _a	±3ppm/3year
Start up time		t _{osc}	10ms max
Pin 1 Tri-state	VDD ±0.5V		Enable (*Note 2)
	0.3V-MAX		Disable

[REMARK]

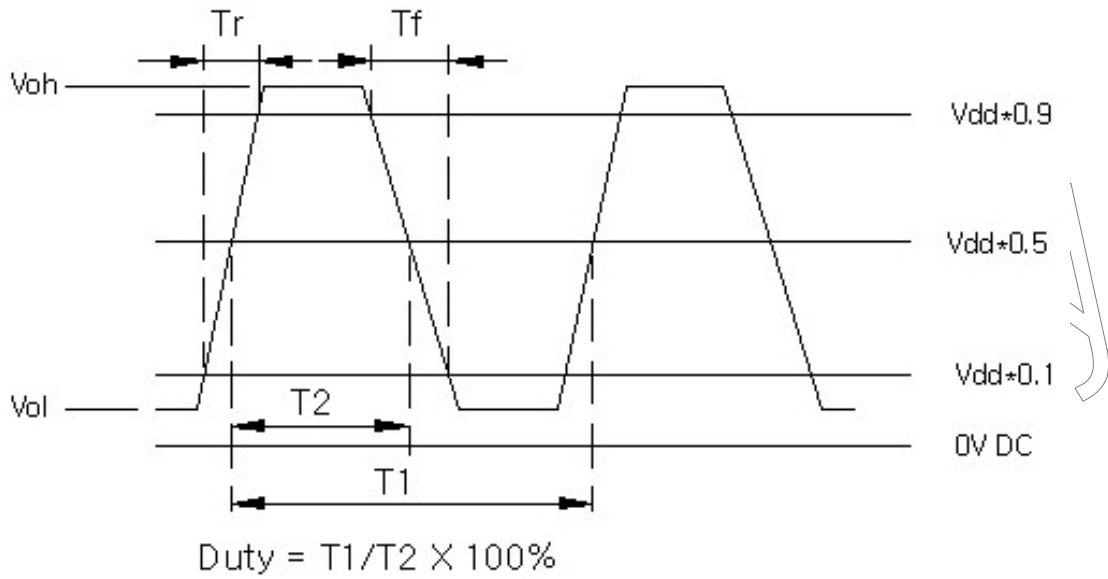
***Note 1**

Frequency stability contains Initial Tolerance(at 25°C), Temperature Drift(-40°C ~ +85°C), and Supply Voltage Variation (1.6V ~ 3.6V).

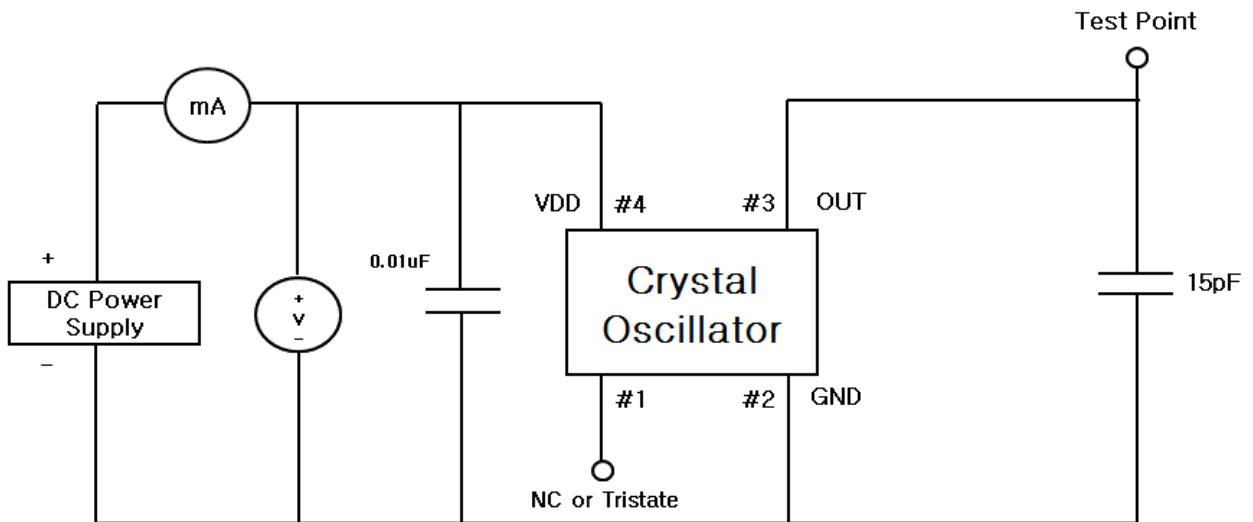
***Note 2**

If tri-state level is higher than VDD +0.5V, no oscillation or abnormal oscillation

Output wave form

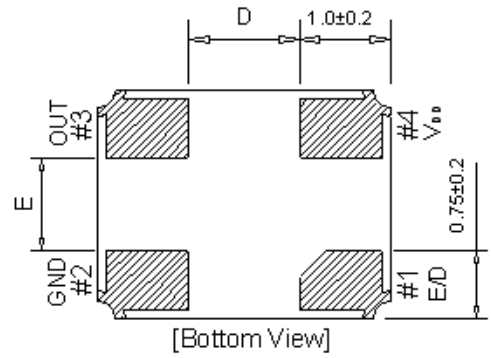
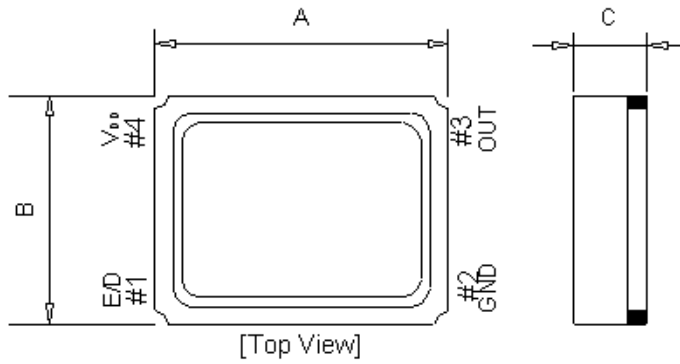


Measurement circuit

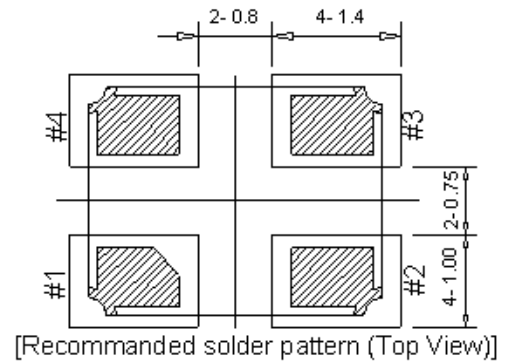


3. Appearance

3.1 Outline Dimensions and PIN CONNECTIONS



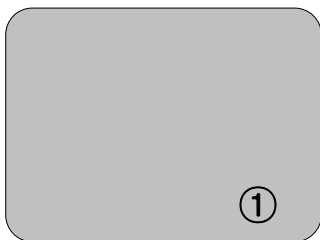
Size in mm				
A	B	C	D	E
3.20 ±0.10	2.50 ±0.10	1.00 max.	1.20 ±0.10	1.00 ±0.10
Pin connections				
#1	Tri-state or Open			
#2	GND			
#3	Output			
#4	V _{DD}			



[About Pin #1]

- Open or high level : frequency output
- Low level : Output is high impedance

3.2 Marking and Lot No.



ITEM	MARKING	REMARK
①		No Marking

4. A Primary test result

- Fill in formal approval sheet.

Preliminary

5. Reliability test

5.1 Environment Test

Contents	Condition	Remark
High temperature Storage	+125°C±5°C, 240 hr	*Testing is complete, leave at room temperature for 24 hours, and Measure.(25°C±5°C) * Be satisfied with contents No 2. Specification
Low temperature Storage	-55°C±5°C, 240 hr	
High temperature High humidity Storage	+85°C±5°C, RH=85%, 96 hr	
PCT	+121°C±5°C, RH=100%, 24hr	

5.2 Thermal shock , Reflow Test

Contents	Condition	Remark
Thermal shock	-40°C±5°C,+90°C±5°C, 15 min, 200 cycle	*Testing is complete, leave at room temperature for 24 hours, and Measure.(25°C±5°C) * Be satisfied with contents No 2. Specification
REFLOW	Pre Heating 200±5°C , 30~60 sec Peak Heating 260°C±5°C , 30sec Max	

5.3 Mechanical Test

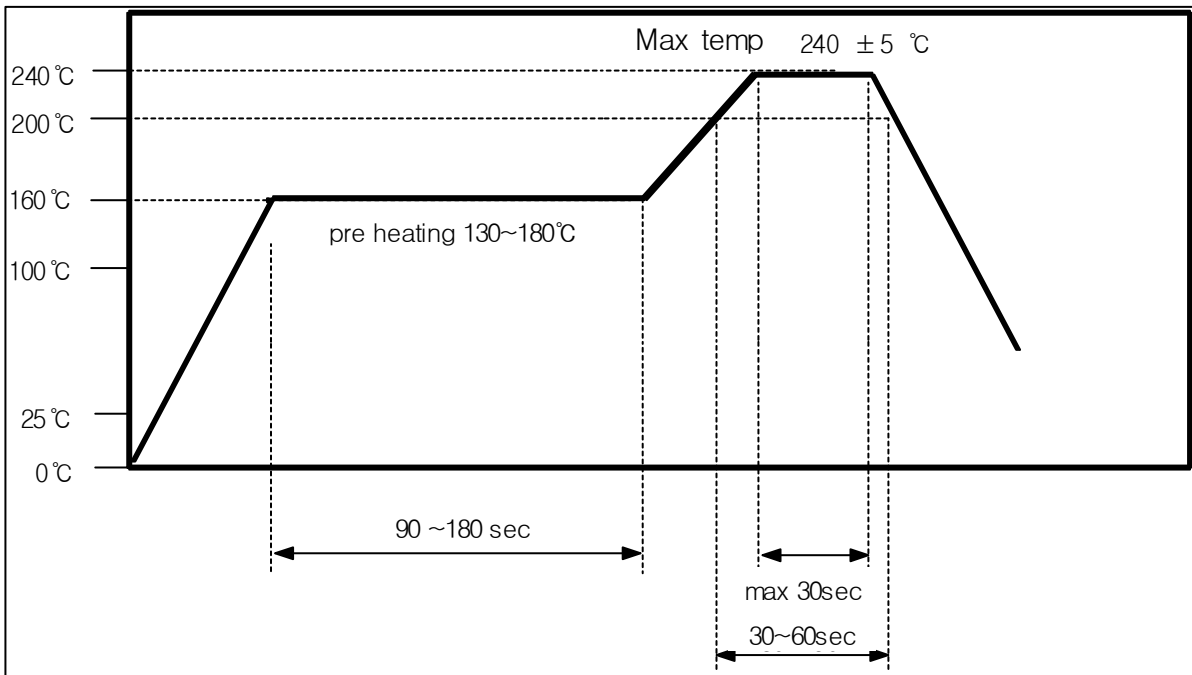
Contents	Condition	Remark
Vibration	Frequency : 10~500Hz, 10 ×9.8m/s ² (G) Sweep time 15min ,X.Y.Z each 5 times	*Testing is complete, leave at room temperature for 1 hours, and Measure.(25°C±5°C) * Be satisfied with contents No 2. Specification
Drop test	12 times falling at a 160cm height (falling with jig)	

5.4 Table

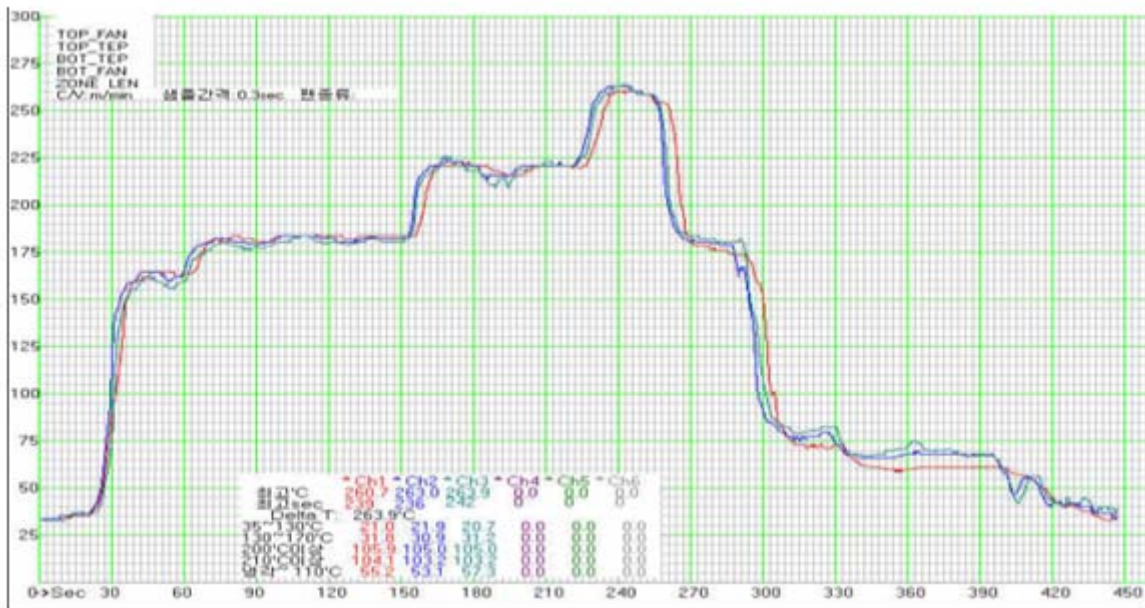
Frequency change permitted	±5ppm Max.
----------------------------	------------

6. Soldering Condition

6.1 Standard Reflow soldering condition



6.2 The maximum temperature guarantees to the 260°C(10sec Max)

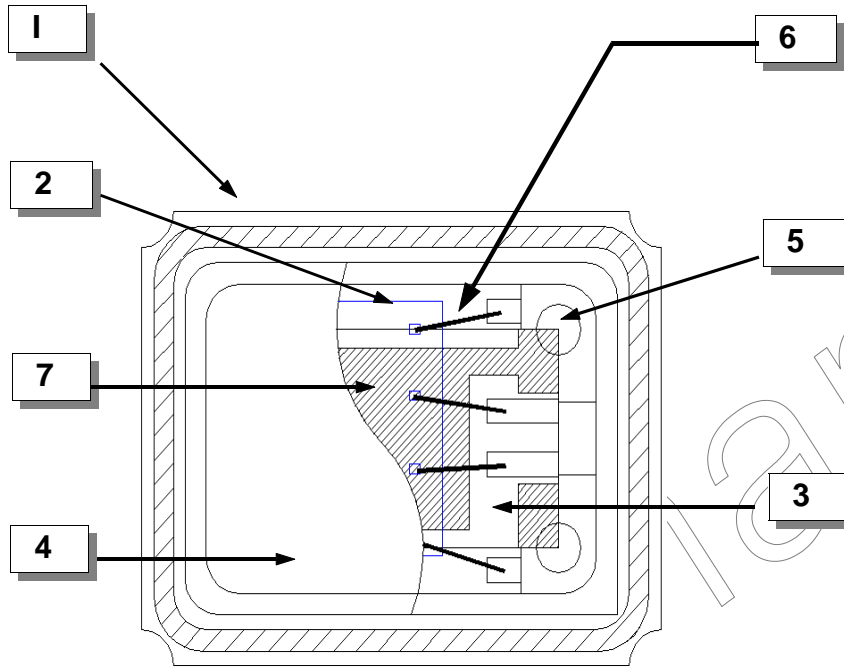


6.3 Soldering Iron Method

- Pre heating : 120°C (30 ~ 300 sec)
- Max temp : 410°C Max
- Time : Max 4 sec

7. Construction and Materials

7.1 Constructions



7.2 Product Materials

No	item	main material
1	Ceramic Package	Al ₂ O ₃ + gold-plating
2	IC	SiO ₂
3	Blank	SiO ₂ (Quartz)
4	Lid(Cover)	kovar
5	Conductive Epoxy	Silver
6	Gold wire	Au(99.99%)
7	Electrode	Ag(99.99%)

8. Notices

8.1 ESD Level : Class2(2000V ~ 4000V)

TEST ITEM	TEST METHOD	
	REFERENCE STANDARD	CONDITION
Electrostatic Discharges (ESD)	JEITA EIAJ ED-4701/304 (MM)	C=200pF, R=0Ω,5times
	MIL-STD-883D 3015.7 (HBM)	C=100pF, R=1.5KΩ,3times

※ Be satisfied ESD condition on the table.

※ This product with a built-in C-MOS IC. Do not exposure excess ESD.

8.2 MSL LEVEL 1 (JEDEC J-STD-020C)

No	Floor Life		Soak Requirements	
	Time	Conditions	Time	Conditions
1	Unlimited	= < 30°C/85%RH	168hr	= < 85°C/85%RH

→ Be satisfied "MSL 1" test condition on the table.

8.3 NOISE

For stable operating against ripple voltage variation, attach 0.01uF~0.1uF capacitor between VDD and GND

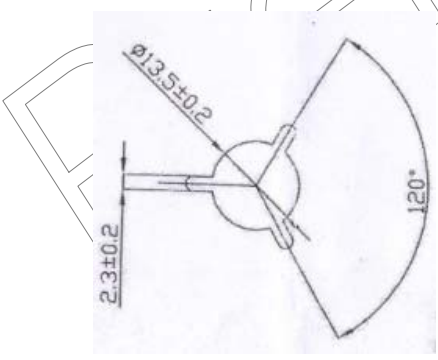
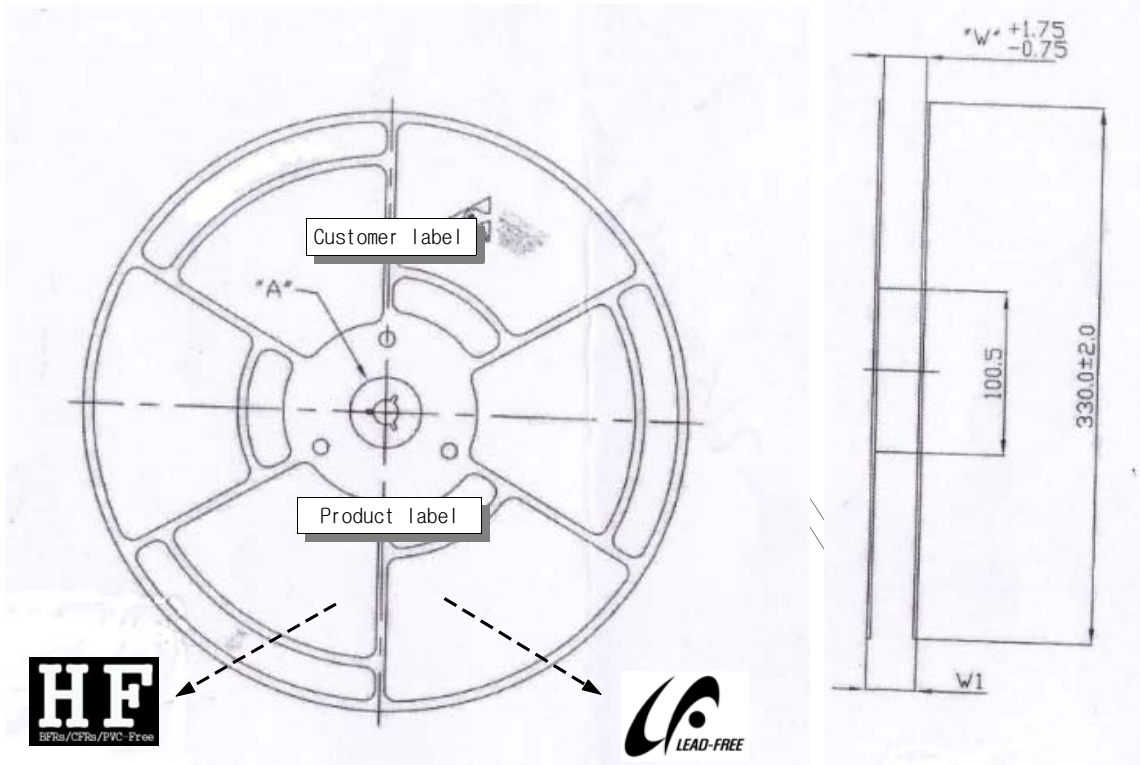
※ available value of ripple voltage: 200mV P-P MAX

8.4 SHOCK

Oscillator has a CRYSTAL RESONATOR.

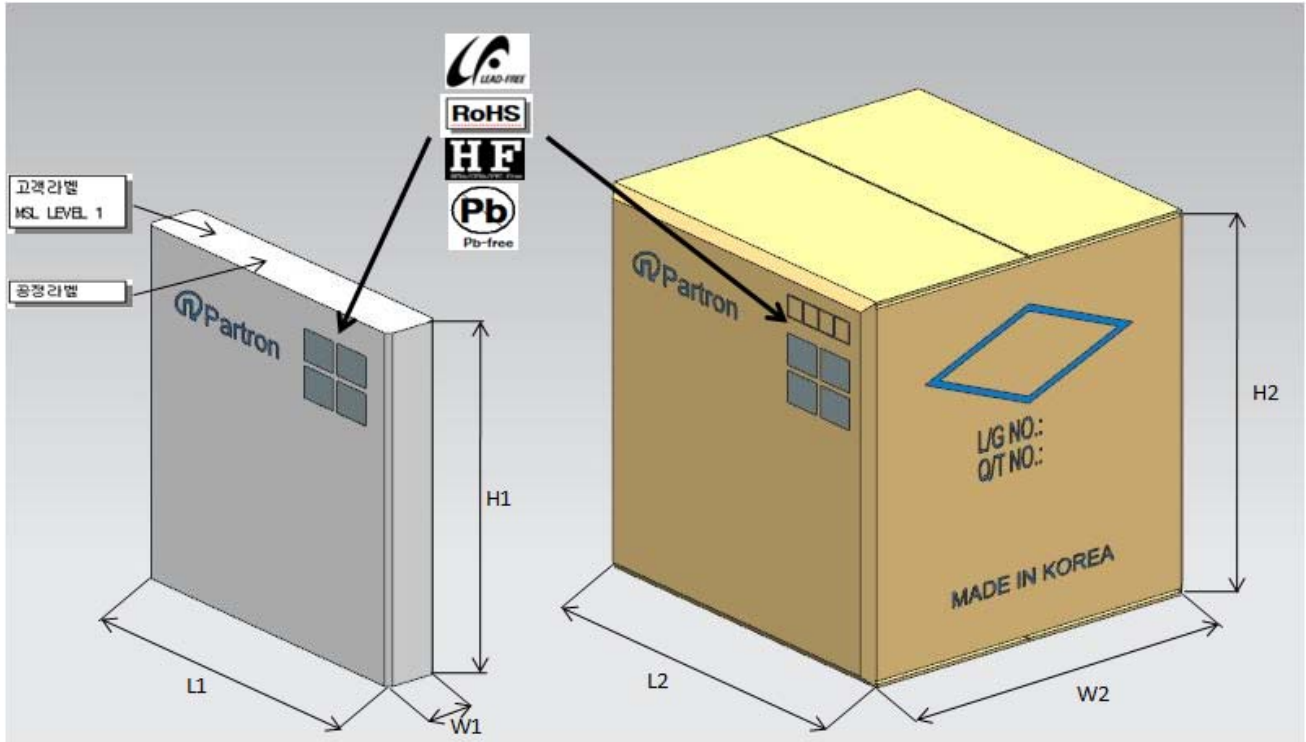
Do not drop in a reel or single product. It can be damaged

9.5 Reel Dimensions (unit : mm)



	W	W1
Size	9.5mm	11.5mm

9.7 Inner, outer box Dimensions (unit : mm)



Item	Inner Box		Outer Box		
	Mark	Dimension	Mark	Dimension (Type #1)	Dimension (Type #2)
Size	L1	330mm	L2	355mm	355mm
	W1	54mm	W2	200mm	355mm
	H1	330mm	H2	355mm	355mm
Material	Corrugated Cardboard		Corrugated Cardboard		
Quantity	20,000 EA (Reel * 2ea)			60,000 EA (Inner Box * 3ea)	100,000 EA (Inner Box * 5ea)



KEYUANXIN TECHNOLOGY GO.,LTD

浏览网址：www.szkyx.cn