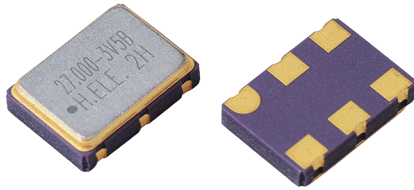




# CRYSTAL OSCILLATOR

## VCXO

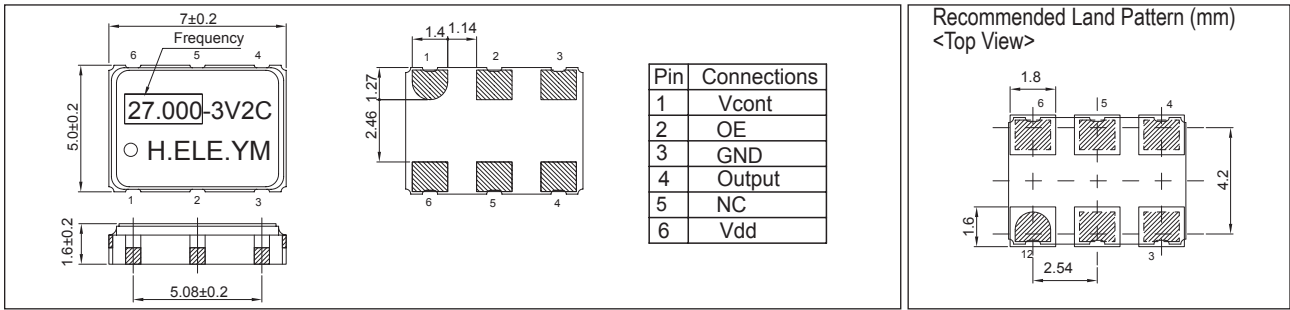
### HSV753S Series



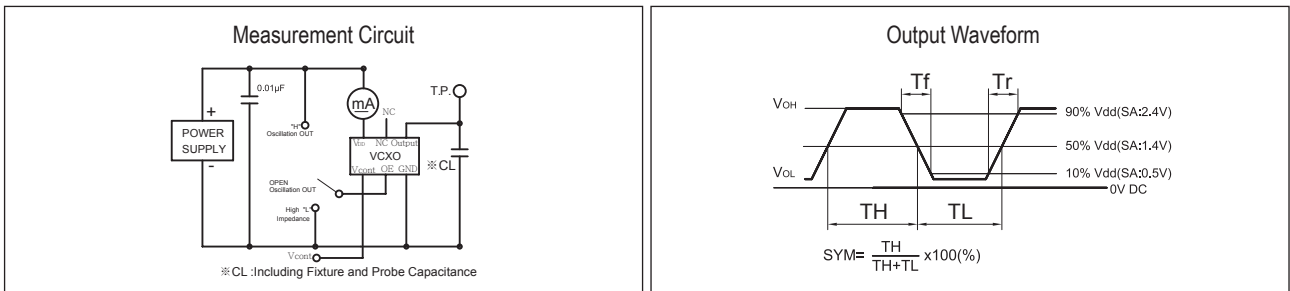
#### Features:

- SMD type VCXO with a mature industry production history.
- Better tolerance performance with voltage IC control.
- Common solution for new production design in networking applications, such as ADSL, set-top box, and base stations.

#### Dimension (mm):



#### Test Circuit and Output Waveform:



#### Standard Specification:

ITEM	TYPE	HSV753S
Frequency Range		1.8MHz ~ 55MHz
Frequency Stability		±25ppm, ±50ppm, ±100ppm
Power Voltage		+3.3 V ~ +5.0V (±10%V)
Frequency Pulling Range		±50ppm, ±90ppm Min
Control Voltage Range		0.3V to 3.0V ~ 0.5V to 4.5V
Storage Temp.		-55°C ~ +125°C
Current Consumption		30mA Max.
Output Character	"0" Level	10%VDD Max.
	"1" Level	90%VDD Min.
	Rise Time (Tr)	10% ~ 90%VDD 10ns Max.
	Fill Time (Tf)	90% ~ 10%VDD 10ns Max.
	Symmetry	40/60% at 50%VDD
	Output Load	15pF

\*Packing Unit: 1,000pcs/Reel.